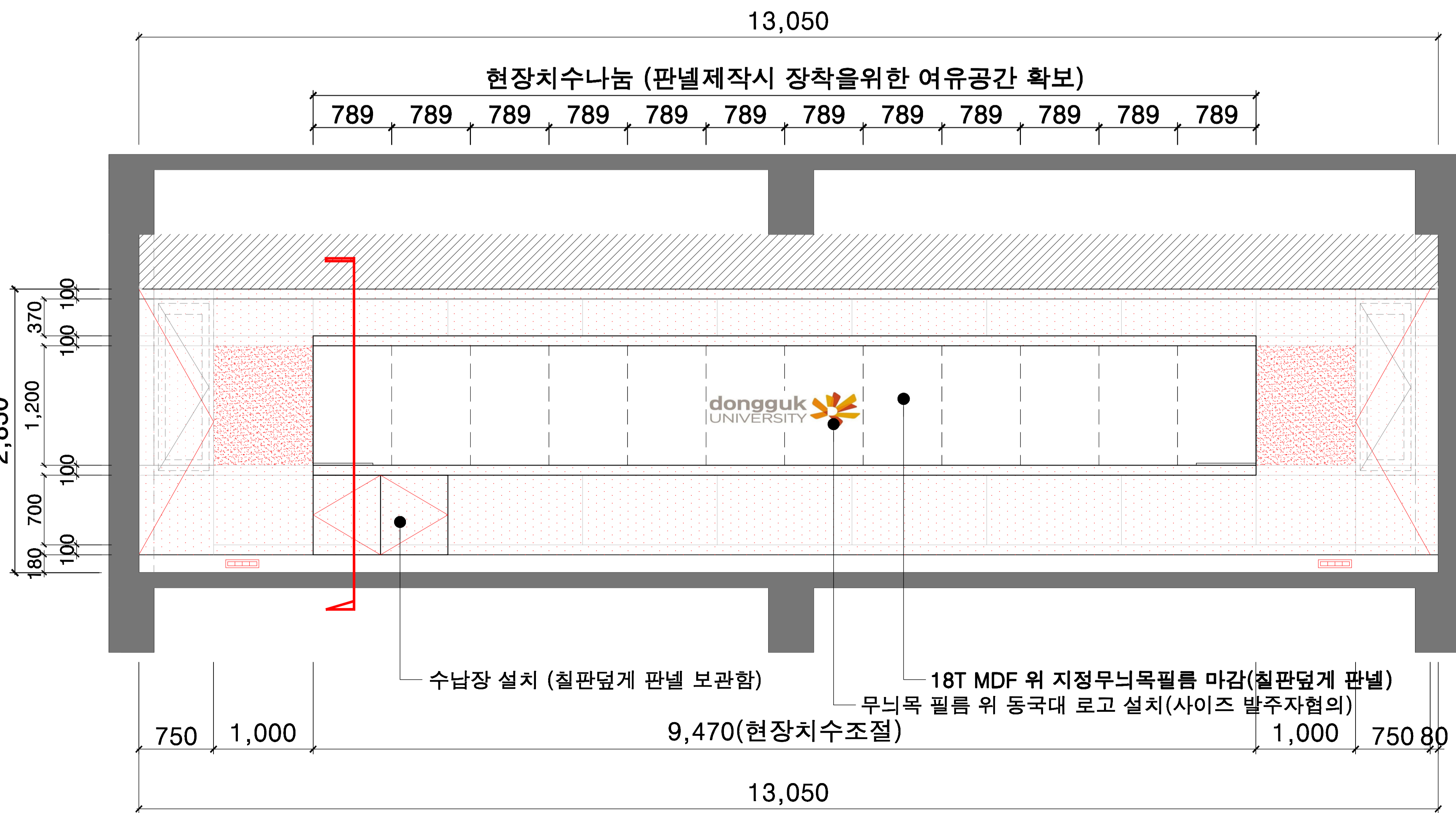
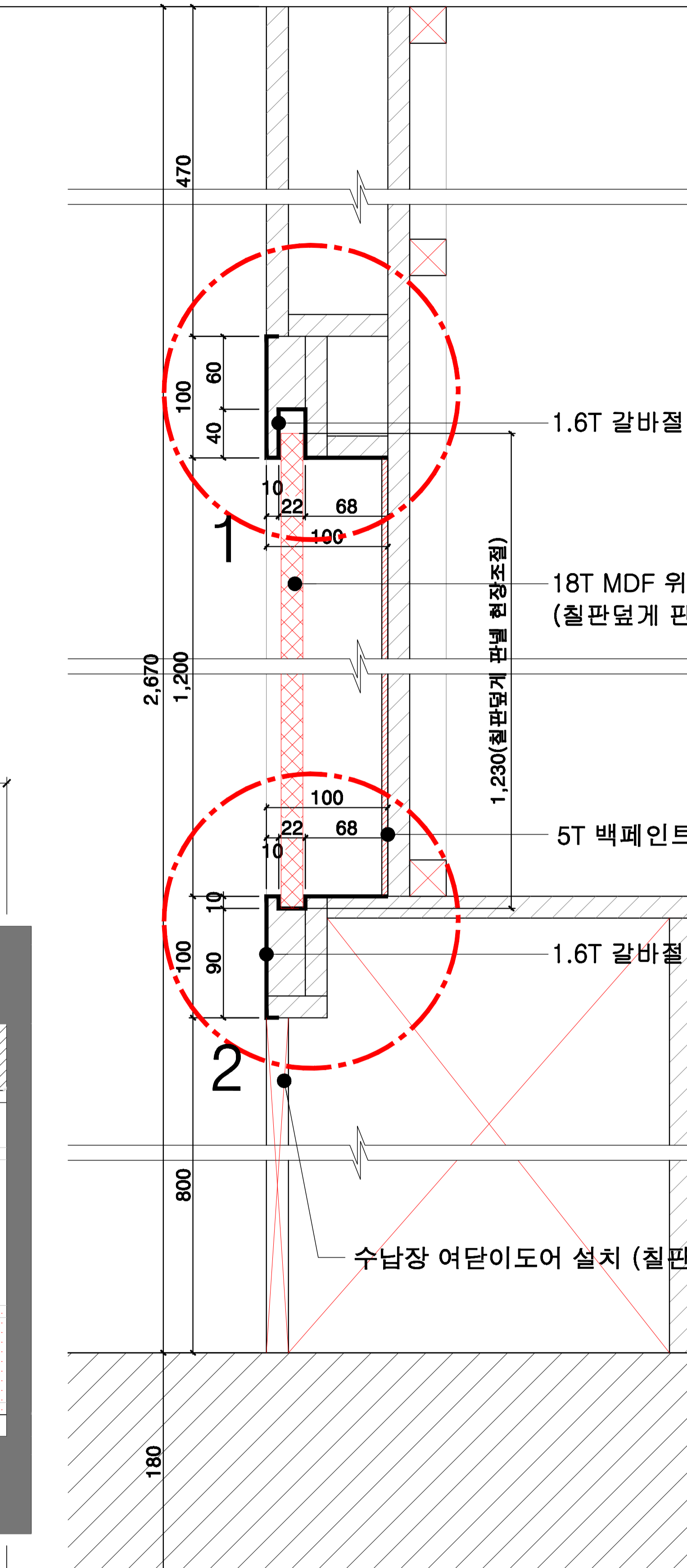
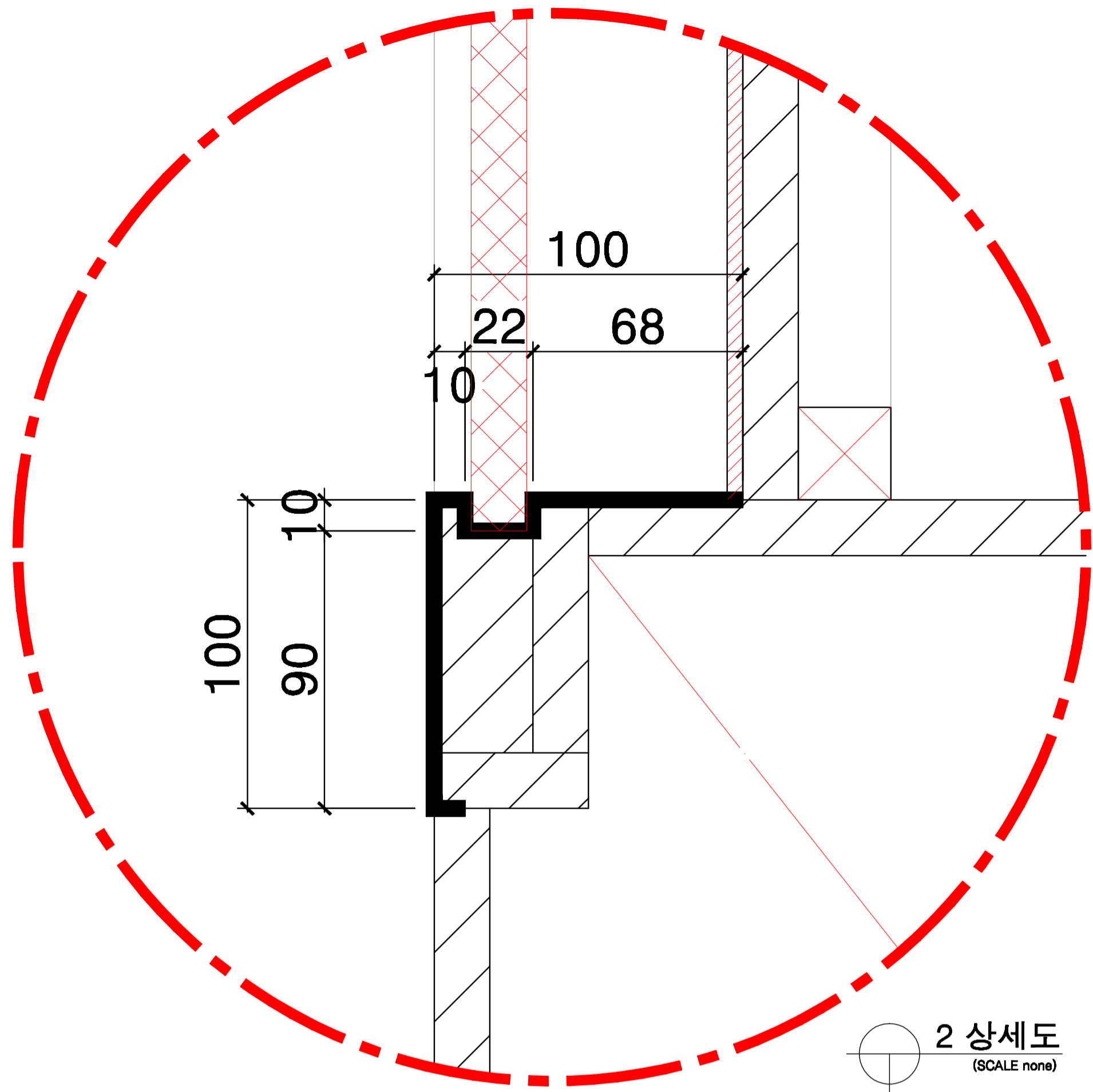
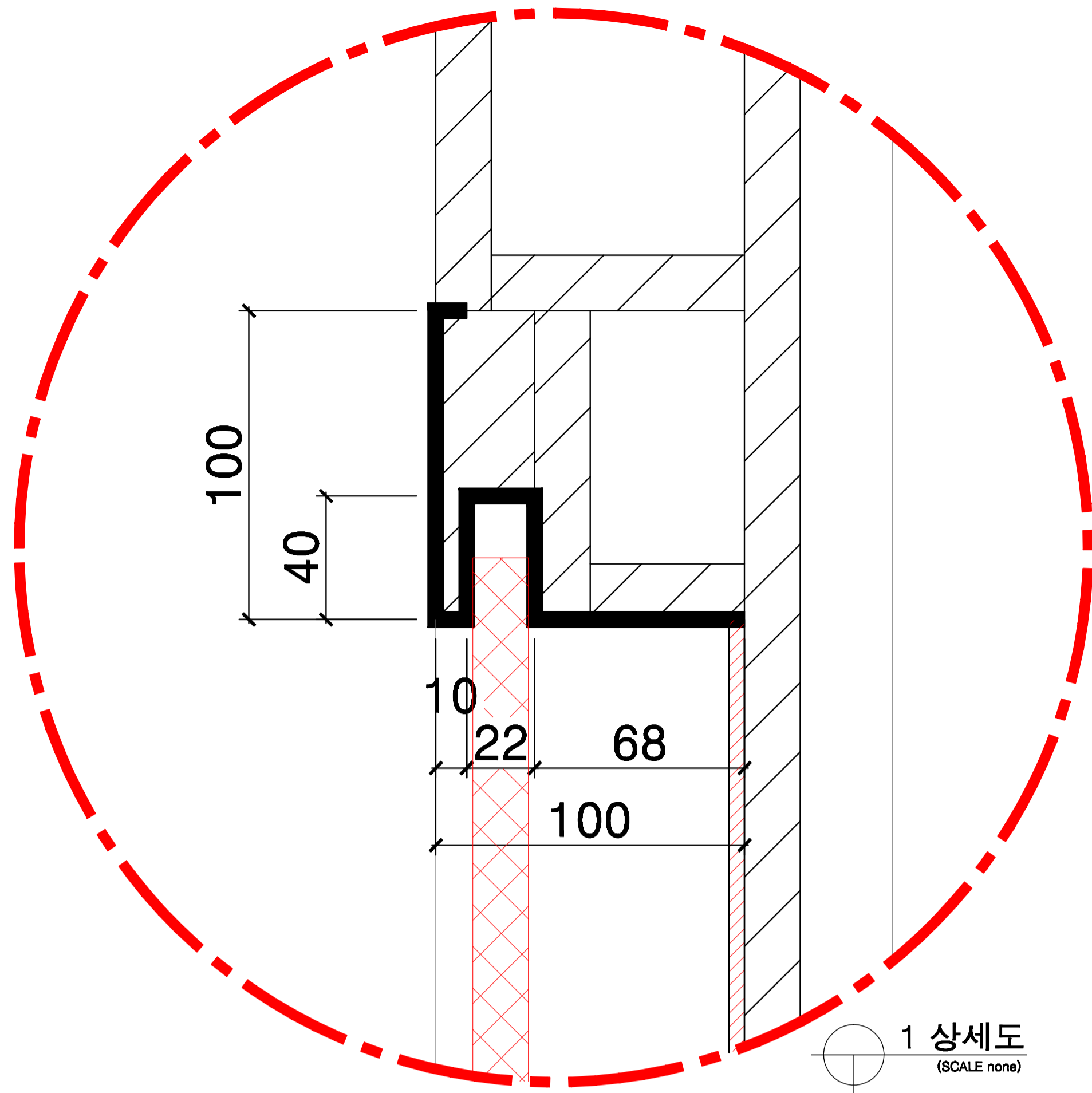


NOTE



철판 상세도
 (SCALE 1/none)

APPROVED BY	
CHECKED BY	
DRAWING BY	
DATE	2023. 11
SCALE	A1 : 1/30 A3 : 1/60

DRAWING TITLE	
철판 상세도	
DRAWING NO	013
SHEET NO	
SCALE	A3 : 1/60